

AXIAL FANS

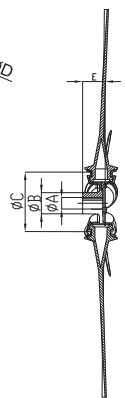
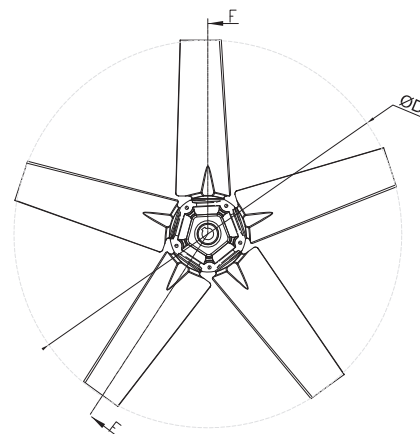
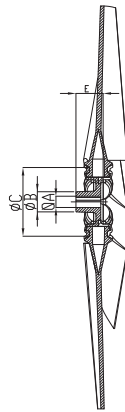
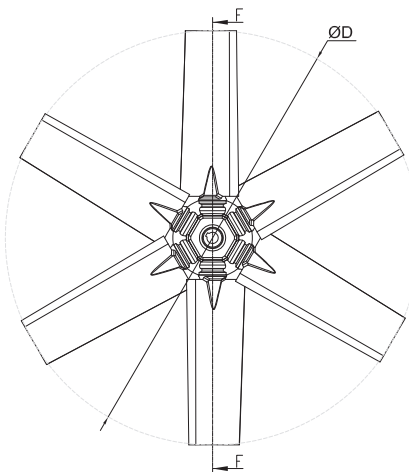


B5P/B6P

AC PLASTIC AXIAL BLADES Adjustable Angles

The B5P, B6P Series of Axial Blades utilize wings with an airfoil profile. This profile is chosen for a wide range of applications including HVAC. Impeller has high diameter range to meet your specific application requirements. Temp. Range; -40°C +100°C

Technical Drawings



TYPE	ANGLE (α)	D	A	B	C	E
B6P 250	25°-30°-35°-42.5°	242	14	34	100	30
B6P 300	25°-30°-35°-42.5°	292	14	34	100	30
B6P 350	25°-30°-35°-42.5°	342	14	34	100	30
B6P 400	25°-30°-35°-42.5°	392	14	34	100	30
B6P 450	25°-30°-35°-42.5°	442	14	34	100	30
B6P 500	25°-30°-35°-42.5°	492	14	34	100	30
B6P 600	25°-30°-35°-42.5°	592	14	34	100	30

TYPE	ANGLE (α)	D	A	B	C	E
B5P 600	25°-30°-35°-42.5°	592	14	44	155	43
B5P 700	25°-30°-35°-42.5°	692	19	44	155	43
B5P 800	25°-30°-35°-42.5°	792	24	44	155	43
B5P 900	25°-30°-35°-42.5°	892	28	56.5	155	43
B5P 1000	25°-30°-35°-42.5°	992	32	56.5	155	43
B5P 1000B	25°-30°-35°-42.5°	992	38	56.5	155	43